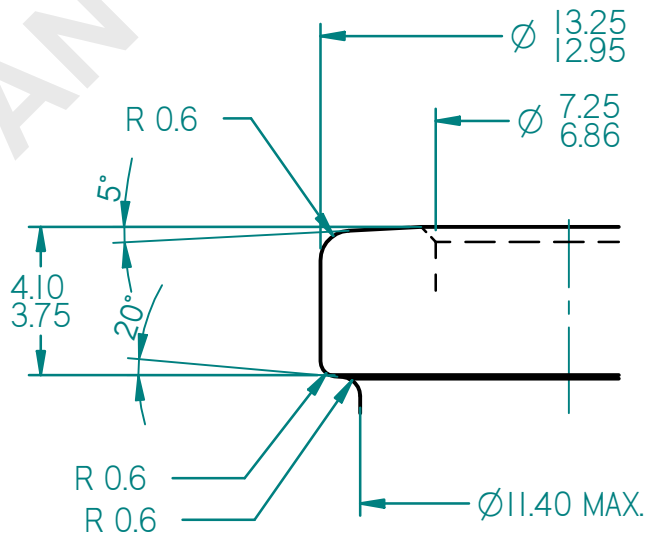
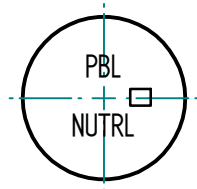
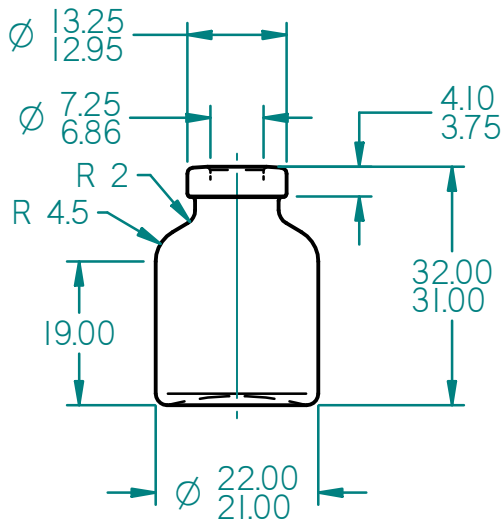


RELEASE

DATE:

COMPANY:



FINISH : 13 mm P.N. SPL.

Protective note ISO 16016 observed

GENERAL TOLERANCES DIN 6129-1 (DIMENSIONS WITHOUT TOLERANCES ARE FOR REFERENCE ONLY)				FINISH: 13 mm P.N. SPL.		O'FLOW CAPACITY: 3.80 - 4.80 ml		ARTICLE NO.:			
				FINISH DWG: NA		WEIGHT: 11.75 g Approx		5151570100			
				FINISH MOLD NO: 901		TYPE OF GLASS: I COLOUR: FLINT					
				DATE	NAME	3 mL METRO - P					
				DRAWN	20/11/2013					Paresh	
				CHECKED	20/11/2013					H.B.P.	
				SCALE	1 : 1, 5 : 1						
						MOLD NO.:	DRAWING NO.:	REVISION	SHEET	FORMAT	
						005	B 1570	1	1 OF 1	A4	
1 SUPERSEDES PREVIOUS DRG. 20/11/13 Paresh REV. CHANGE DATE NAME				NEUTRAL GLASS & ALLIED INDS. PVT. LTD. MUMBAI / KOSAMBA		FILE: 3 mL METRO P.dft					